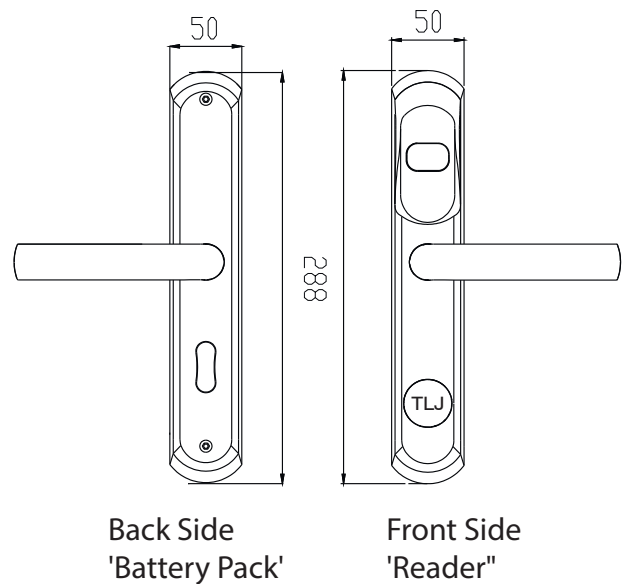




Revolution

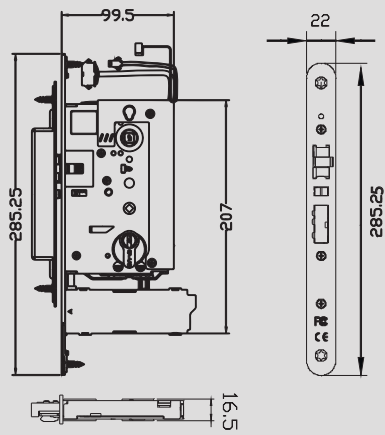
electronic lock set

Technical Data Sheet



Power	4 x AA battery (TLJ batteries recommended)
Material	Zink Alloy & Polycarbonate Stainless steel SUS304
Metal Finishes	Satin Chrome (SR) . Polished Chrome (PC) Satin Gold (SG) . Polished Gold (PG)
Battery Location	Within the lockcase, housed inside the door
Emergency Open	Mechanical over-ride cylinder, physical key
Operating Temp	-20°C to 70°C
Certifications	EN14846 - Mechanical load & cycle testing EN1634-1 - Fire tested to FD30 & FD60 doors EMC, R&TTE & LVD Directives PAS24/SBD - Physical attack security test CE Marked CertiFire TS81
Privacy Bolt	Hardened with anti drill pins

European - EURBAT/282
60mm Backset



Lockcase



TLJ Access Control
68/78 Leads Road, Hull, East Yorkshire, HU7 0BY, UK
www.TLJlimited.com 0044 (0)1482 830334