



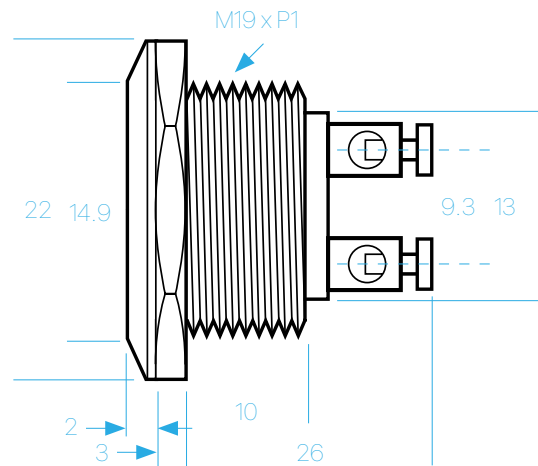
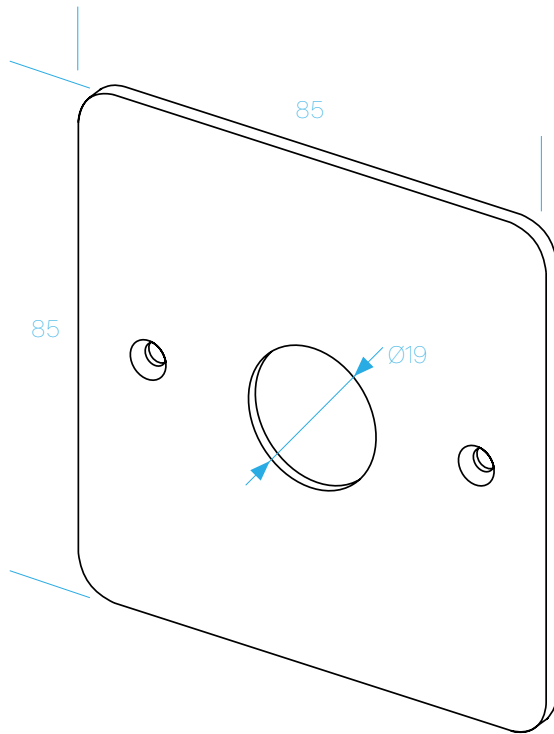
PRESS



TO EXIT

TLJ Press to exit button

The TLJ exit switches are supplied complete as flush or surface. The surface units have an extruded box, which has a brushed stainless steel finish. All the exit switches in this range are suitable for high traffic applications, and are suitable for internal use.



Specification:

Max Rating - 5Amp.240V

Contact Resistance - 50mOhms

Operational Life - tested to 100,000 cycles without failure

Operation - Push to Make

Dimensions:

Standard flush - 85 x 85 x 2mm

Standard surface - 85 x 85 x 30mm

TLJ Access Control

68/78 Leads Road, Hull, East Yorkshire, HU7 0BY, UK

www.TLJlimited.com 0044 (0)1482 830334

